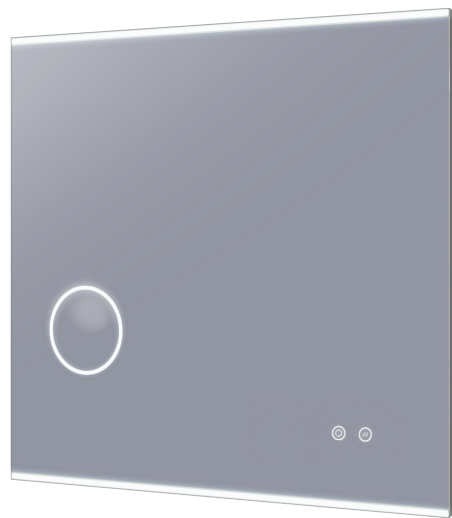


## LUCY 900DM

L90DM

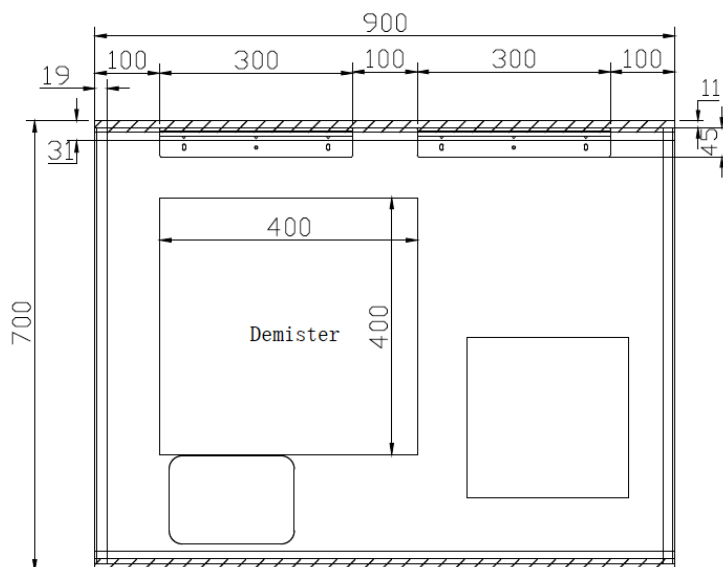
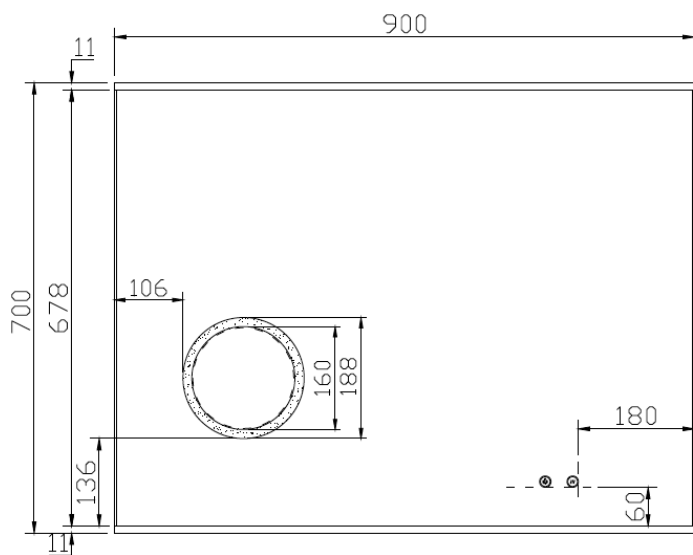


### Size (mm):

Width	900
Height	700
Depth	32

### Features:

LED Lighting	✓
Demister with 1 Hour Auto Cut-off	✓
3X Magnifier	✓
Copper Free Mirror	✓



**Please note: Must be installed by a licensed electrician in accordance with local regulations**

To clean this mirror, wipe it with a soft microfiber cloth or a lint free cloth that has been rinsed in warm water and wrung out well, then rub the mirror gently with a soft dry cloth.

PLEASE do not use glass or window cleaner, or other cleaners with chemical agents. These may damage the silver coating and brown marks can result.

Please confirm all particulars with your sales consultant or refer to our website for more information prior to purchase.

**WARRANTY**  
5 years

\*Conditions apply